

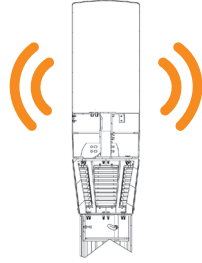


**nepSA**<sup>SM</sup>

MAKING CITIES SMARTER®

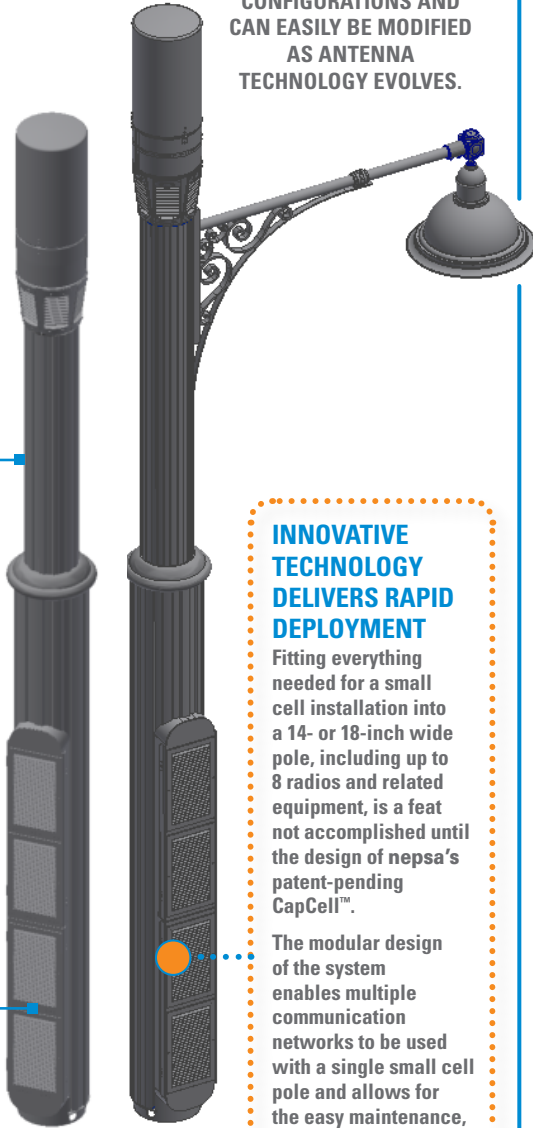
# SMART CITIES Start with Intelligent Infrastructure

**KitstiK™ 14 s**  
shown with and  
without light



THE FUTUREPROOF ANTENNA DESIGN IS AVAILABLE IN 4 CONFIGURATIONS AND CAN EASILY BE MODIFIED AS ANTENNA TECHNOLOGY EVOLVES.

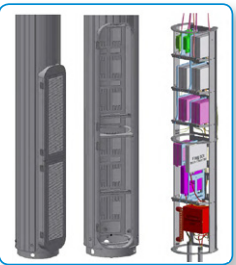
THE POLE IS SET TO THE PREFERRED HEIGHT AT INSTALLATION WITH ADJUSTABLE RAD CENTERS FROM 15' TO 29' HIGH



### INNOVATIVE TECHNOLOGY DELIVERS RAPID DEPLOYMENT

Fitting everything needed for a small cell installation into a 14- or 18-inch wide pole, including up to 8 radios and related equipment, is a feat not accomplished until the design of nepSA's patent-pending CapCell™.

The modular design of the system enables multiple communication networks to be used with a single small cell pole and allows for the easy maintenance, inspection, replacement or upgrade of installed components.



PATENT-PENDING EQUIPMENT CAPCELL™

## KitstiK™ 14 s\*



14 s Pilot in Farmers Branch, TX

The **KitstiK™** can be outfitted with a wide array of street lighting and signage options from world-class lighting manufacturers including **Sternberg Lighting** and **GE**.

As a light pole, the KitstiK's positioning within the city streetscape make it an excellent starting point for the evolving Internet of Things (**IoT**) and Smart Cities initiatives.

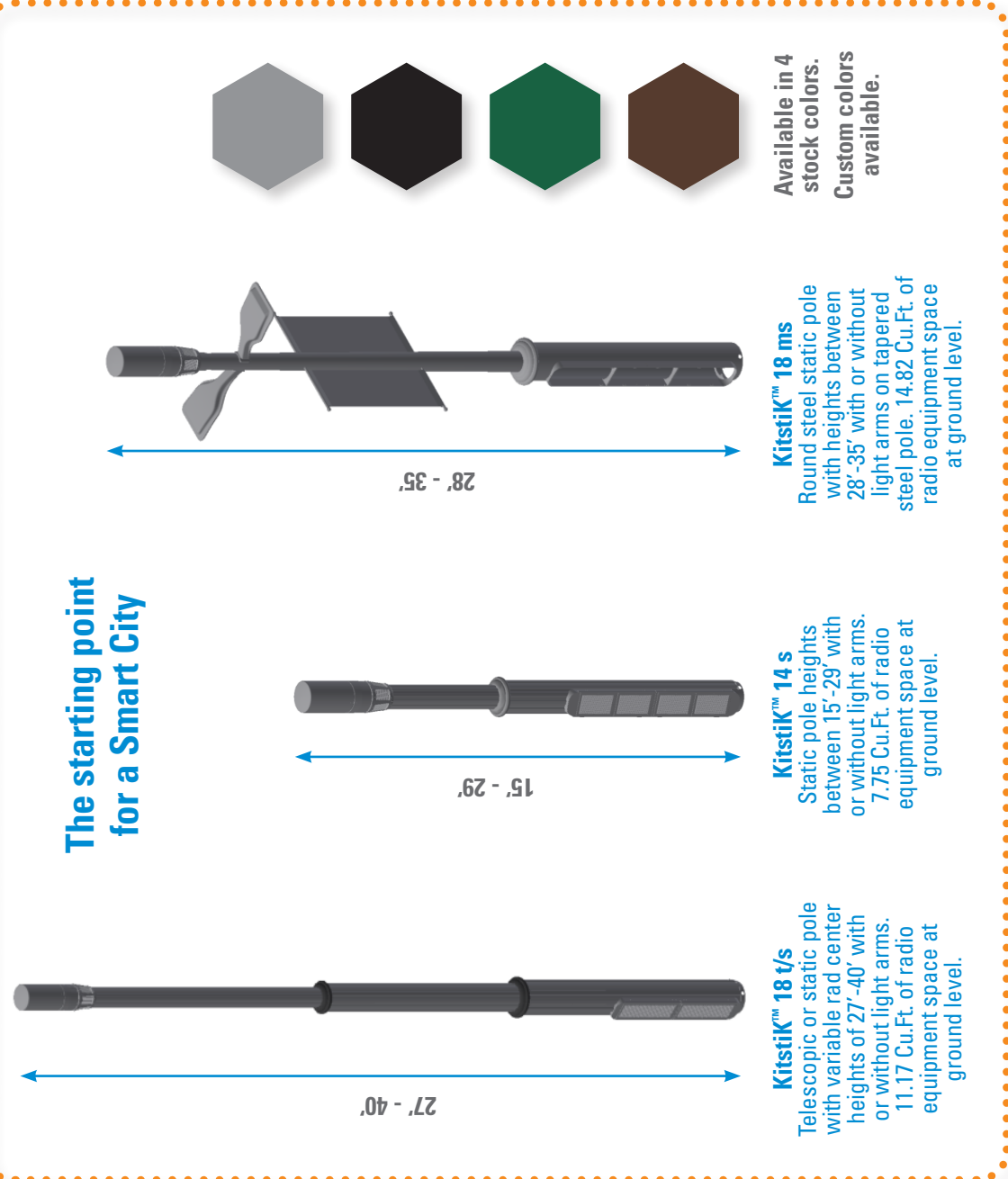
KitstiK™ Pilot programs have included technology from **AT&T Smart Cities Digital Infrastructure** with **Current, powered by GE's CityIQ™** with the following configurations:

1. Small Cell technology for **AT&T** featuring **Ericsson** radios
2. Smart, more efficient LED lighting from **GE**
3. Live video feed for safety and traffic analysis
4. Measurement of near real-time speed, count, direction of travel, number of lanes provided
5. Parking view API in connection with live video

\*Unless otherwise noted, images are location simulations only.

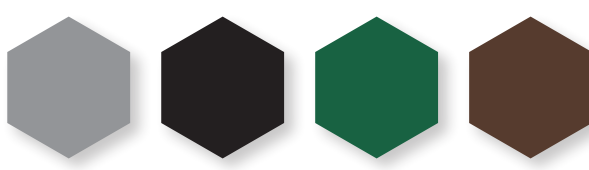
# Kitstik™ PRODUCT LINE OVERVIEW

**The starting point for a Smart City**

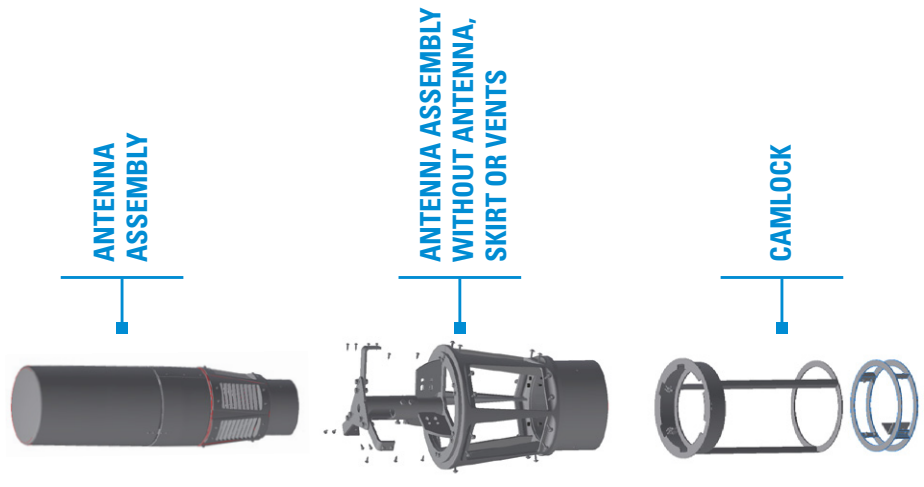


Model	Height	Description
Kitstik™ 18 t/s	27' - 40'	Telescopic or static pole with variable rad center heights of 27'-40' with or without light arms. 11.17 Cu.Ft. of radio equipment space at ground level.
Kitstik™ 14 s	15' - 29'	Static pole heights between 15'-29' with or without light arms. 7.75 Cu.Ft. of radio equipment space at ground level.
Kitstik™ 18 ms	28' - 35'	Round steel static pole with heights between 28'-35' with or without light arms on tapered steel pole. 14.82 Cu.Ft. of radio equipment space at ground level.

Available in 4 stock colors. Custom colors available.



The Kitstik's unique patent-pending design—including the CapCell™ and telescoping / camlock features—integrates ALL of the required equipment components: wiring, radios and antennas, for a single or multiple carrier solution, entirely within a sleek, attractive pole.



**For more detailed information, contact David Wigdahl: [daw@nepsa.com](mailto:daw@nepsa.com) or call 847.584.2010.**

"Making Cities Smarter" is a registered service mark and "Kitstik" and "CapCell" are trademarks of nepsa solutions LLC. © 2018 nepsa solutions LLC. All rights reserved. The Kitstik™ and the CapCell™ are nepsa solutions' patent-pending technology for Small Cell wireless.